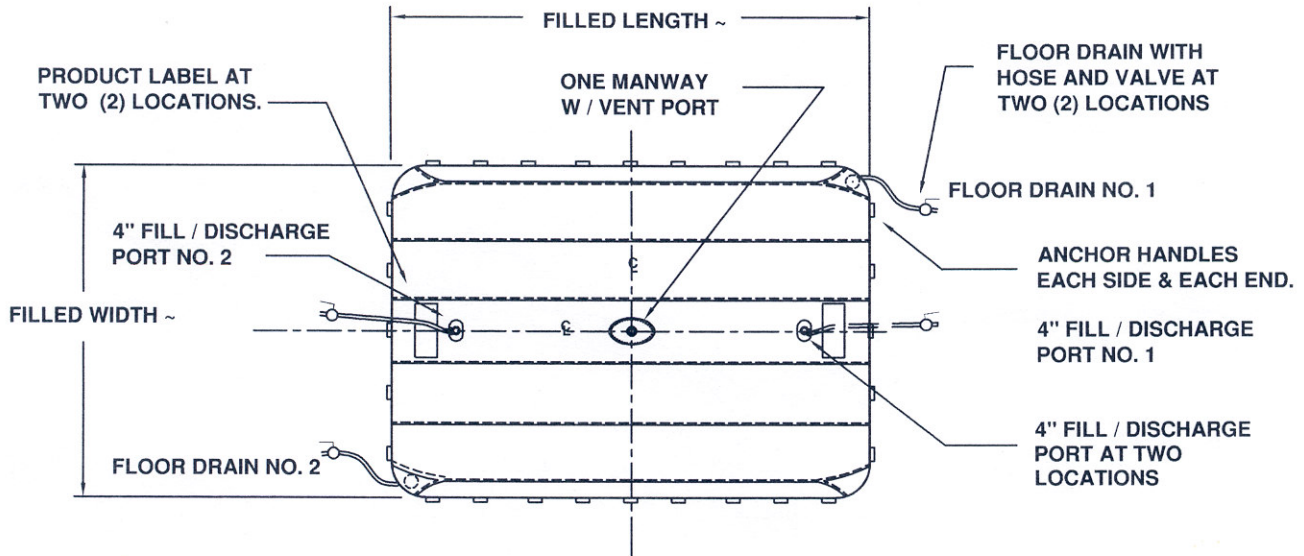


## SOFT SHELL FLEXIBLE STORAGE TANKS



### NOTES:

#### 1) EACH TANK ASSEMBLY INCLUDES:

- 1.1) TWO (2) FLOOR DRAINS EACH WITH 2"Ø X 8' LG. HOSE AND BALL VALVE.
- 1.2) TWO (2) FILLER / DISCHARGE PORTS, ONE (1) 4" Ø x 10' LG HOSE AND ONE (1) BALL VALVE.
- 1.3) ONE (1) 2"Ø VENT PORT WITH MANWAY ACCESS.
- 1.4) ONE (1) BERM LINER PANEL W / TWO (2) FLOOR DRAINS AND FOUR (4) 2" DIA. X 10' LG. HOSES AND 2" DIA. BALL VALVES FOR FUEL TANKS.
- 1.5) ONE (1) GROUND CLOTH PANEL FOR WATER TANKS
- 1.6) ONE (1) SHIPPING CONTAINER FOR WATER TANK AND TWO (2) CONTAINERS FOR FUEL TANK ASSEMBLIES.

2) FLEXIBLE TANK MATERIAL CONFORMS TO MILITARY SPECIFICATIONS ATPD 2266 FOR FUEL TANKS AND ATPD 2265 FOR WATER TANKS

3) PANEL FABRICATION CONFORMS TO ASTM 751 TEST STANDARDS.

4) HOSE AND VALVE MATERIALS CONFORM TO ATPD 2266 FUEL AND ATPD 2265 CRITERIA FOR WATER.

5) REPAIR KIT AND SPARE PARTS ARE INCLUDED WITH EACH TANK

6) FLEXIBLE TANK DIMENSIONS SHOWN IN CHARTS ARE THEORETICAL AND WILL VARY WITH AMBIENT TEMPERATURE.